

# KAMA

LIGHTING

## Round Exterior 1LT Wall Cylinder

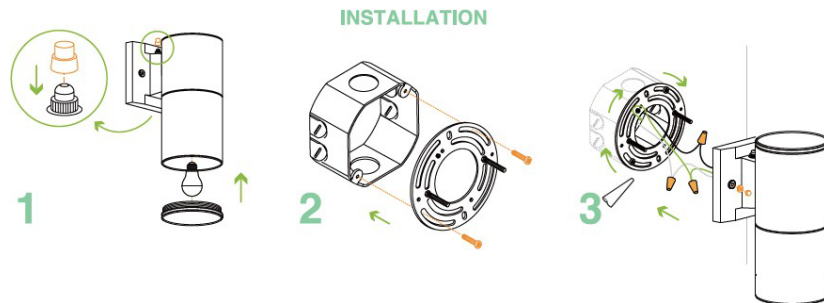
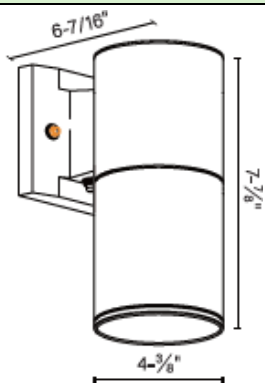


### Model No. CH-OCL-2660-BK

This round exterior cylinder fixture has a modern design. Made from die-cast aluminum body and tempered glass cover with a 50 degree beam angle reflector. This fixture is compatible with a variety of LED E26 medium base lamps less than 60W (not included). Durable waterproof housing resistant to rust and suitable for wet locations. ETL certification and suitable decks, patios, porches, corridors, walkways and many other common areas. Photocell optional.

#### Specifications:

Bulb base:	E26 (bulb not included)	Input Voltage:	120V
Max Bulb Wattage:	60W	Finish:	White; Black; Bronze
Certificates:	cETLus	L70 Lifetime Hours:	> 50,000
Housing:	Die-cast aluminum	Lens:	Glass



[www.kamalighting.com](http://www.kamalighting.com)

 [kama@kamalighting.com](mailto:kama@kamalighting.com)

At KAMA Lighting, our mission is to manufacture the highest quality lighting fixtures that exceed the demands of our customers' design intent and budget. Our team truly understands the importance of budget in the construction industry and our lighting solutions are tailored to meet financial goals without compromising quality.

Whether you are a builder, a lighting distributor or an electrician, KAMA Lighting has lighting solutions for all your needs. If you don't find a KAMA product that fits your required "look" or design intent, rely on our "Made To Spec" program to design any fixture you desire down to the last detail. Contact your local KAMA Lighting representative today to ask about our "Made To Spec" program.